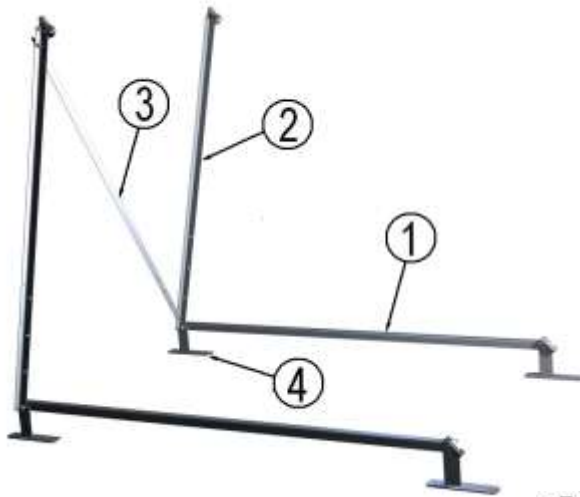
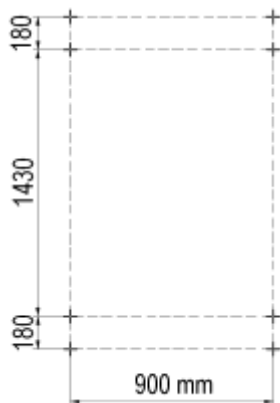


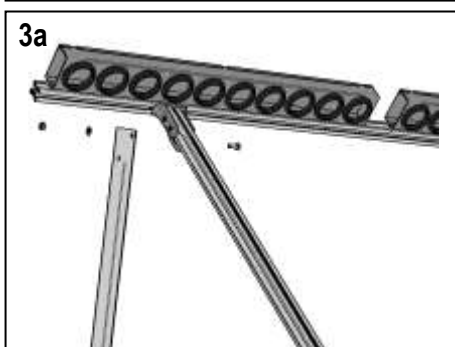
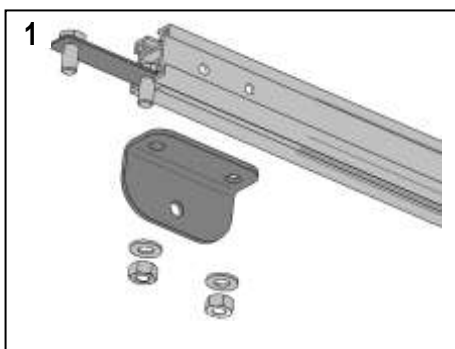
KSRL-2 UNIVERSAL STRUCTURE ASSEMBLY INSTRUCTION



No	Name	Mount
1	Bottom connector	2
2	Back connector	2
3	Diagonal connector	1
4	Base	4
5	Connector	4
6	Screw M8x20	8
7	Washer Ø8	8
8	Nut M8	8



Spacing of openings for the assembly of the KSRL-2 universal structure.



The KSRL-2 universal structure is used to mount a 2×KSR10 collector.

Steps of the assembly:

1. Attach the connectors **(3)** to the vertical bars (included in the collector set).
2. Attach the bases **(4)**, the bottom connector **(1)** and the back connector **(2)** using screws **(6)**, washers **(7)** and nuts **(8)**.
3. Attach the diagonal connector **(3)** using screws **(6)**, washers **(7)** and nuts **(8)**.

Additional information:

- Screws, washers, nuts and inserts necessary for attaching the KSRL-2 universal structure to the 2×KSR10 collector's frame are included in the set with the collectors.