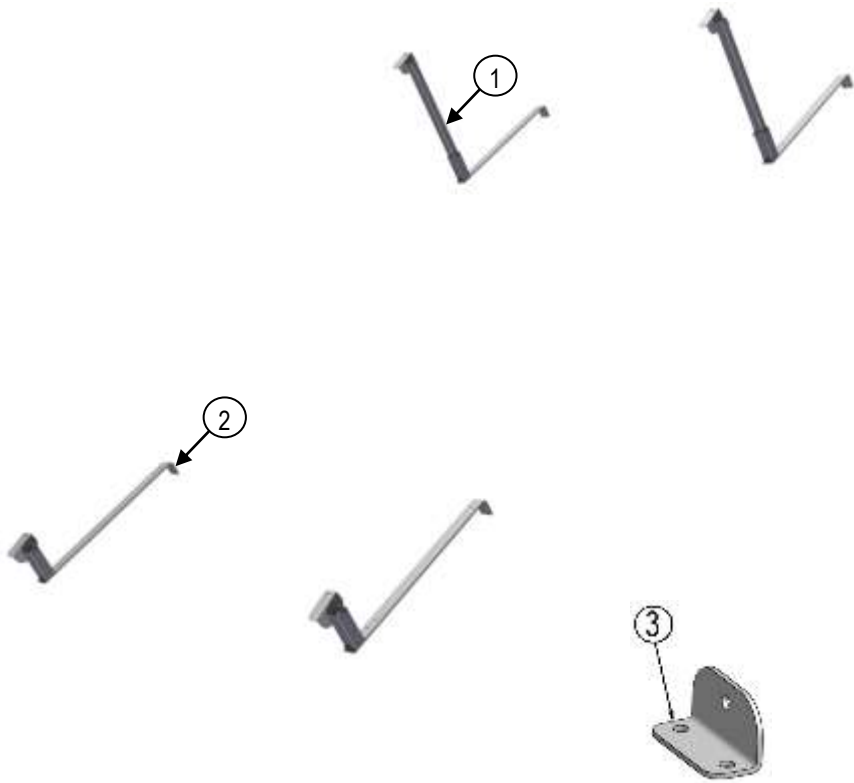
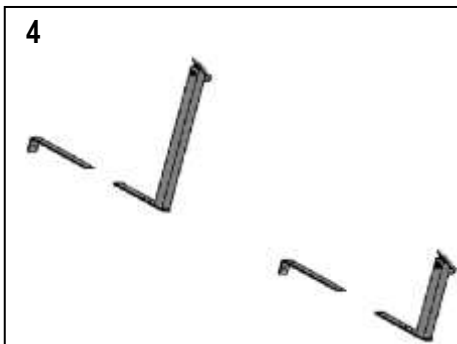
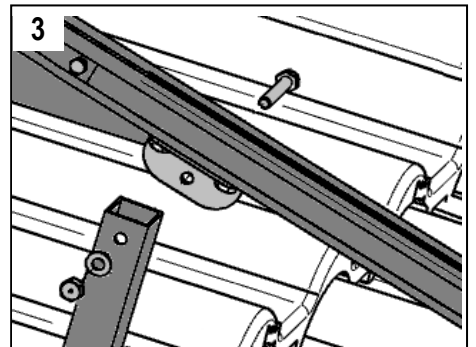
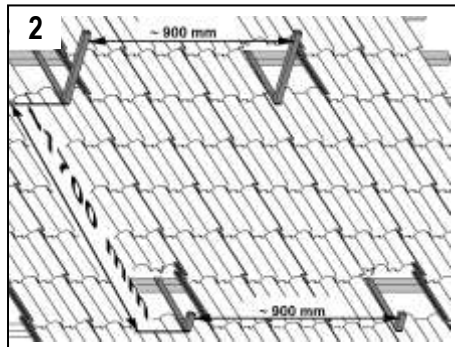


## KSRL-2 CORRECTING HOLDER ASSEMBLY INSTRUCTION



No	Name	Mount
1	Profile 25x25x2	2
2	Hook	4
3	Connector	4
4	Screw M8x40	6
5	Washer Ø8	6
6	Nut M8	6



**The KSRL-2 correcting holder is used to mount the 2×KSR10 set.**

**Steps of the assembly:**

1. Attach the two profiles **(1)** with two hooks **(2)**.
2. Remove tiles from places where the hook holders **(2)** will rest. Attach the hook holders to the lath with wood screws, leaving about 0.9 m of space between the holders in width and 1.7m between the top and bottom hook holders.
3. Connect the vertical bars (the collector's frame) with the hook holders **(2)** and tighten the nuts.

**Additional information:**

- If the roof is covered with metal roofing tiles or bituminous material, the hook holders **(2)** should be modified by cutting off the hooks **(fig. 4)**.
- Screws, washers, nuts and inserts necessary for attaching the KSRL-2 correcting holder to the 2×KSR10 collector's frame are included in the set with the collectors.