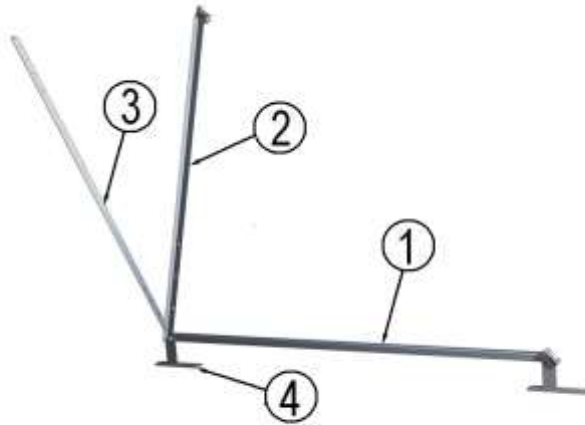
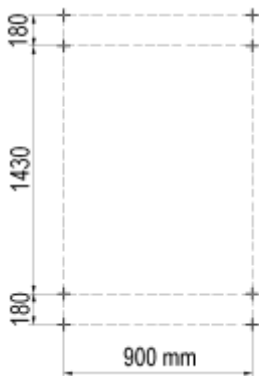


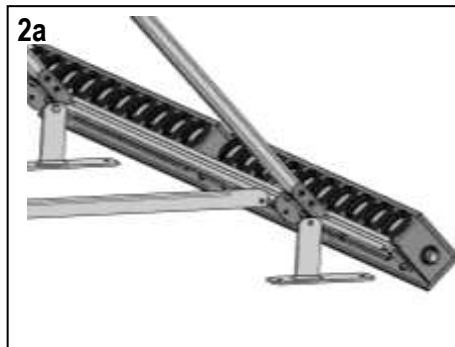
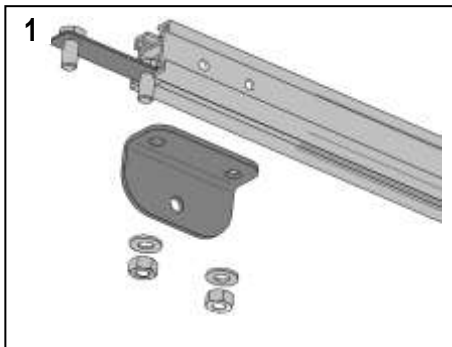
## KSRL-1 UNIVERSAL STRUCTURE ASSEMBLY INSTRUCTION



No	Name	Mount
1	Bottom connector	1
2	Back connector	1
3	Diagonal connector	1
4	Base	2
5	Connector	2
6	Screw M8x20	5
7	Washer Ø8	5
8	Nut M8	5



Spacing of openings for the assembly of an additional KSRL-1 universal structure.



**The assembly of the KSRL-1 universal structure should be done similarly to the assembly of the KSRL-2 universal structure for two collectors.**

**The KSRL-1 universal structure is used to mount an additional KSR10 collector.**

**Steps of the assembly:**

1. Attach the connectors **(3)** to the vertical bar (included in the collector set).
2. Attach the bases **(4)**, the bottom connector **(1)** and the back connector **(2)** using screws **(6)**, washers **(7)** and nuts **(8)**. Attach the KSRL-1 and KSRL-2 structures using the diagonal connector with screws **(6)**, washers **(7)** and nuts **(8)**.

**Additional information:**

- Screws, washer, nuts and inserts necessary for attaching the KSRL-1 universal structure to the KSR10 collector's frame are included in the set with the collectors.