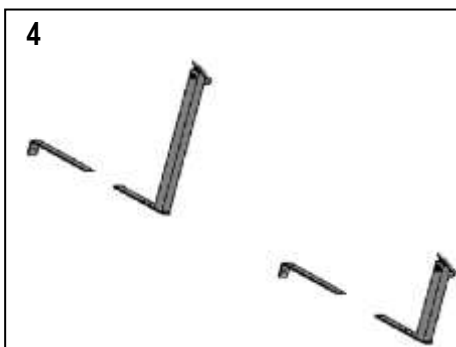
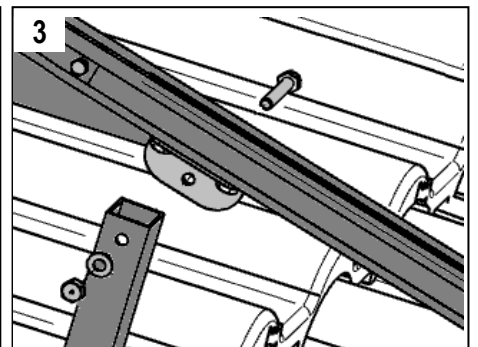
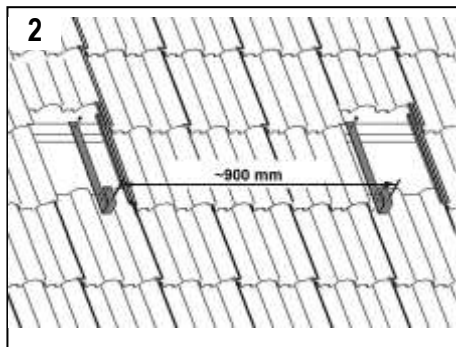


KSRL-1 CORRECTING HOLDER ASSEMBLY INSTRUCTION



No	Name	Mount
1	Profile 25x25x2	1
2	Hook	2
3	Connector	2
4	Screw M8x40	3
5	Washer Ø8	3
6	Nut M8	3



The assembly of the KSRL-1 correcting holder should be done similarly to the assembly of the KSRL-2 correcting holder for two collectors

The KSRL-1 correcting holder is used to mount an additional KSR10 collector.

Steps of the assembly:

1. Attach the two profiles (1) with two hooks (2).
2. Remove tiles from places where the hooks holder (2) will rest. Attach the hook holders to the lath with wood screws, leaving about 0,9 m of space from the correcting holder of the KSRL-2 in width and 1,7 m between the top and bottom hook holders.
3. Connect the vertical bar (the collector's frame) with the hook holders (2) and tighten the nuts.

Additional information:

- If the roof is covered with metal roofing tiles or bituminous material, the hook holders should be modified by cutting off the hooks (fig. 4).
- Screws, washer, nuts and inserts necessary for attaching the KSRL-1 correcting holder to the collector's frame are included in the set with the collector.