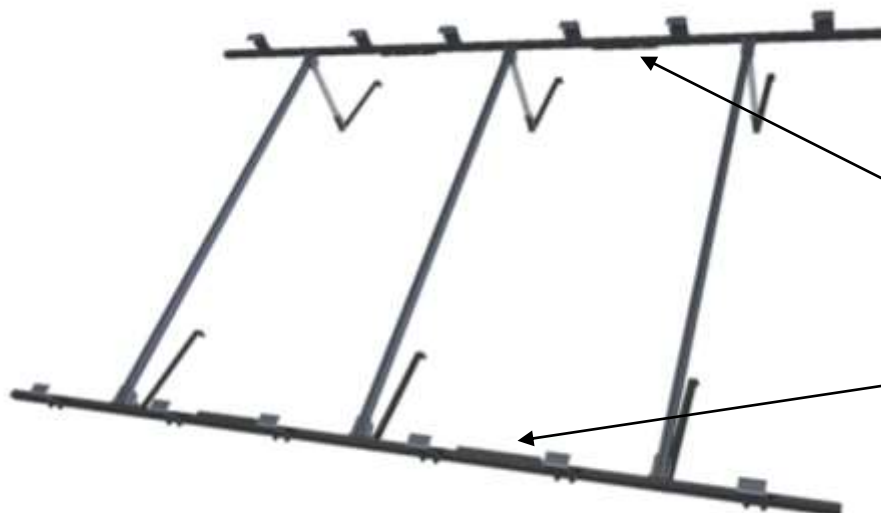


MANUAL OF INSTALLING KSOL-1 ADJUSTING HANDLE FOR AN ADDITIONAL KS2000/2100/2300/2500/2600 COLLECTOR



No	Name	Mount
1	Vertical profile (1930mm)	1
2	Upper horizontal profile: KS2000/2100 (1085mm) KS2300 (1190mm) KS2500 (1295mm) KS2600 (1362mm)	1
3	Lower horizontal profile: KS2000/2100 (1085mm) KS2300 (1190mm) KS2500 (1295mm) KS2600 (1361mm)	1
4	Collector grasper	4
5	Profile 25x25x2	1
6	Lower hook	2
7	Connector	2
8	Connector AI	2
9	Insert	2
10	Screw M6x40	4
11	Nut M6	4
12	Screw M8x40	3
13	Washer Ø8	19
14	Nut M8	3
15	Screw cap	4
16	Straight connector	2
17	Square nut M8	8
18	Screw M8x20	4
19	Screw M8x14	4
20	Screw M8x25	4
21	Screw M8x16	4



The assembly of the KSOL-1 adjusting handle for an additional collector should be done similarly to the assembly of the KSOL-2 adjusting handle for two KS2000-KS2600 collectors.

The KSOL-1 adjusting handle is used to mount an additional KS2000-KS2600 collector on the base of KSOL-2 adjusting handle.

Steps of the assembly:

1. After removing the necessary roof tiles, attach the hooks holders (6) to the lash using wood screws, in a distance of 1085mm – KS2000/2100, 1190mm – KS2300, 1290mm – KS2500, 1360mm – KS2600 to the hook holders of the KSOL-2 adjusting handle.
2. Mount vertical profiles (1) placing the upper hooks so that they fit well with previously mounted lower hooks. Mount the upper hooks to roof batten using screws. Screw tightly nuts which mount bottom hooks.
3. Attach the connectors AI (8) and connect upper horizontal profile (2), and lower horizontal profile (3) to vertical profiles (1).
4. Connect the horizontal profiles (2 and 3) with the frame of the KSOL-2 adjusting handle using connectors (7) and screws (12).
5. During the assembly, remove the upper collector graspers (4). Place solar collectors on the rack with distance between them 85mm. Put on and screw tight the top graspers of the collector (4).
6. Using M8x16 screws (21) fasten the collector to the bottom graspers (using rivet nuts mounted in the collector).
7. Using M8x16 screws (21) fasten the collector to the upper graspers (using rivet nuts mounted in the collector).
8. Slide the collector to strictly adhere to the lower horizontal profile (3), screw tight the bottom graspers of the collector (4) and put caps on the nuts (15).

Additional information:

If the roof is covered with metal roofing tiles or bituminous material, the hook holders (6) should be modified by cutting off the hooks.

